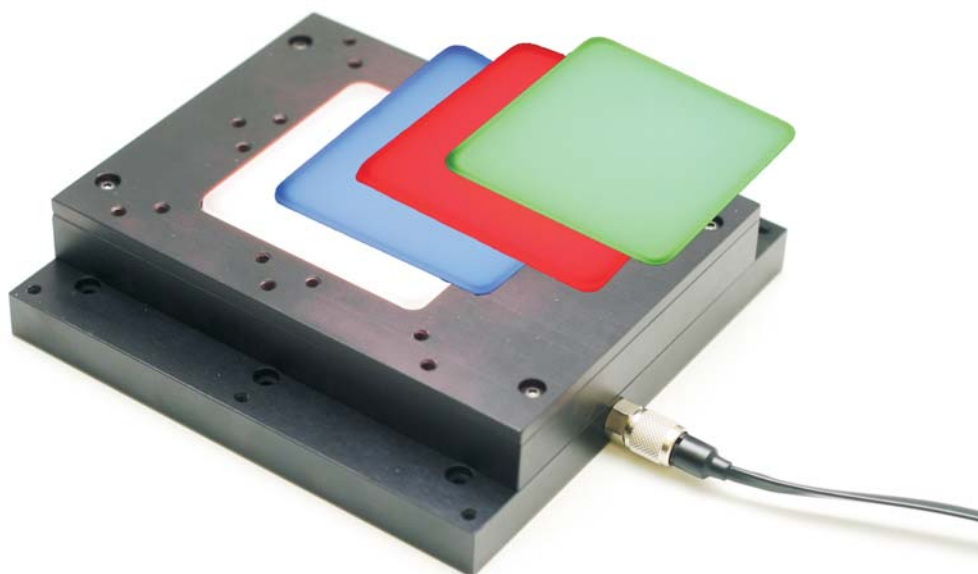


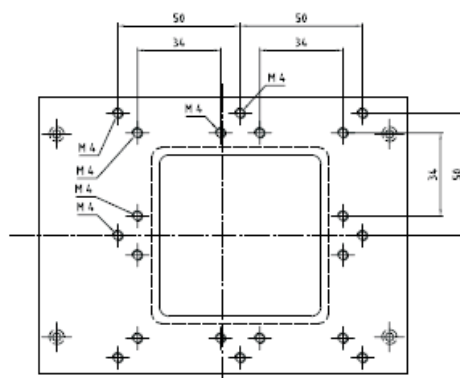
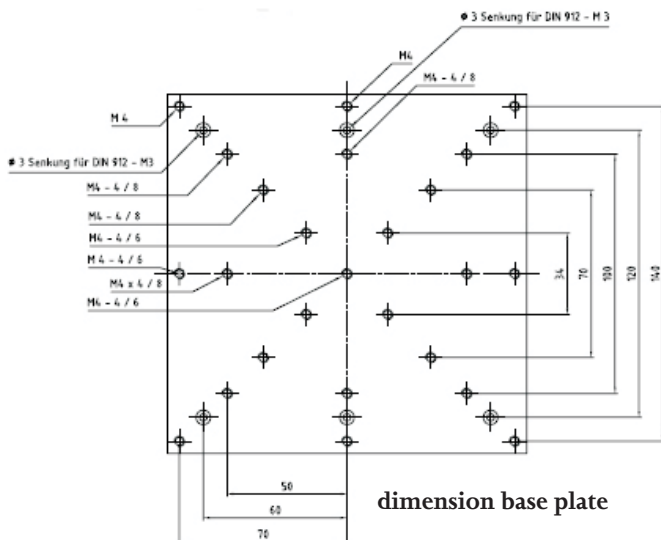


Backlight

RGB-controllable LED-Backlight



The advantage of the "Quick Image Backlight" is the compact chassis with its universal mounting and high homogeneity (less than $\pm 6\%$ of the middle light density). It is available with different monochromatic LED colors or as RGB model with controllable colors (red / true green / blue). The light area ($70 \times 70 \text{ mm}^2$) reaches a light density up to 40000 cd/m^2 (triggered at true green). The backlight is compatible to the OWIS positioning system.



Specification

wave lengths

- 617 nm (amber)
- 528 nm (true green)
- 470 nm (blue)

power consumption

max. 12 watts

voltages

8 - 24 volts

special features

additive color mixing by controlling all chips



Steinbeis

Qualitätssicherung und
Bildverarbeitung GmbH

**Werner-von-Siemens-Str. 9
98693 Ilmenau / Germany**

Phone +49 (0) 36 77 · 46 90 59 0
fax +49 (0) 36 77 · 46 90 59 11

e-mail info@quick-image.de
internet www.quick-image.de

contact persons:

Dipl.-Ing. Steffen Lübbecke
phone +49 (0) 36 77 · 46 90 59 12
e-mail steffen.luebbecke@quick-image.de



Forschung & Entwicklung

Research & Development



Produktion & Service

Production & Service



Beratung & Training

Consulting & Training

Haus- und Lieferanschrift:

Steinbeis Qualitätssicherung und Bildverarbeitung GmbH

Werner-von-Siemens-Str. 9 98693 Ilmenau

Bankverbindung: Deutsche Bank, Stuttgart

BLZ 600 700 70 » Konto 0941369 » BIC-Code: DEUTDESSXXX

IBAN-Nr.: DE25 6007 0070 0094 1369 00

Geschäftsführer: Dipl.-Ing. Steffen Lübbecke » T +49 (0) 36 77 · 46 90 59 12,

F +49 (0) 36 77 · 46 90 59 11 » info@quick-image.de » www.quick-image.de

USt.-Ident.-Nr. DE 278964785 » Registergericht: AG Jena HRB 507013.

Ein Unternehmen im Steinbeis-Verbund.