

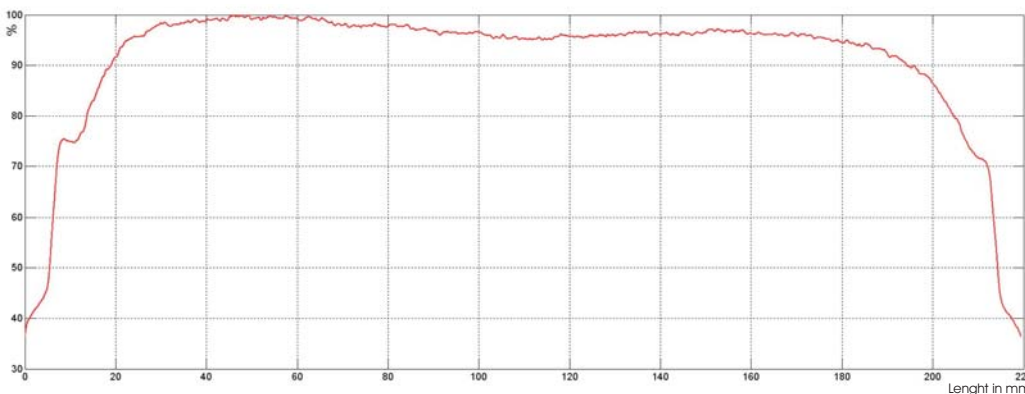


## Linelight

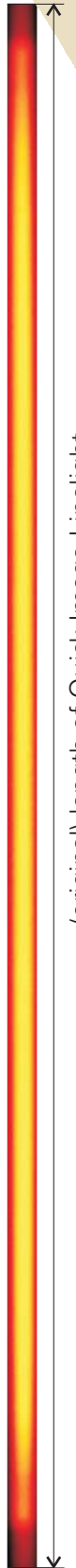
LED linelight with high intensity and homogeneity for industrial image processing



Linelight of Quick-Image-family is assembled with high-power LEDs for industrial applications. In conjunction with the optical beam guidance the light intensity of LEDs is homogeneous bundled over the length of the line. Linelight can be controlled directly via a 24 V DC power supply or with lighting control. It is possible to adjust the illuminance of the linelight in both operating modes. The Compact design of the aluminium housing allows a high flexibility in the arrangement of cameras and lighting.

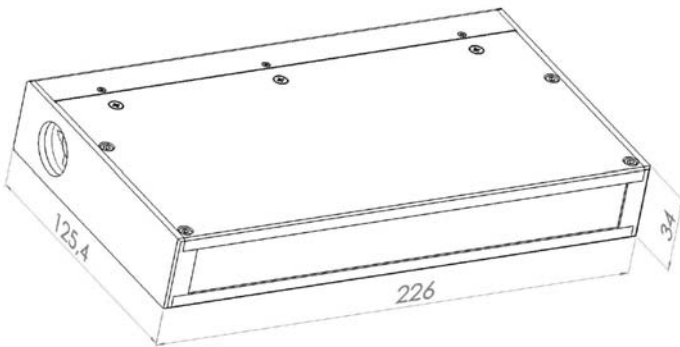


Brightness cut over the length of Quick-Image LED Linelight



## Technical information

Line length	180 mm (homogeneity $\pm$ 5%) (3 segments)
Line thickness	< 1,5 mm
Operating distance	about 33 mm
Colour of light	White - 4500K optional: - White (cold - 6500K) - White (warm - 3100K) - Yellow (590nm) - Red (627 nm) - Green (530 nm) - Blue (470 nm o. 455 nm)
Length of life	50.000 h with 70% lumen performance
Cooling	activ (air)
Power supply	24 VDC (continuous operation)
Current power consumption	max. 2,4 A (continuous operation)
Cable length	1,5 m (optional 5 - 10 m) (other lengths on request)
Port (connector)	optional
Dimensions (housing)	226 mm x 125,4 mm x 34 mm



## Possible applications

- Visual inspection (preferably reflected light)
- Metric image processing
- Contour test (form control)

## Accessories

- QI Flash Control



## Steinbeis

Qualitätssicherung und  
Bildverarbeitung GmbH

**Werner-von-Siemens-Str. 9  
98693 Ilmenau / Germany**

phone +49 (0) 36 77 · 46 90 59 0  
fax +49 (0) 36 77 · 46 90 59 11

e-mail [info@quick-image.de](mailto:info@quick-image.de)  
internet [www.quick-image.de](http://www.quick-image.de)

contact persons:

Dipl.-Ing. Steffen Lübbecke

phone +49 (0) 36 77 · 46 90 59 12

e-mail [steffen.luebbecke@quick-image.de](mailto:steffen.luebbecke@quick-image.de)

Dr.-Ing. Maik Rosenberger

phone +49 (0) 36 77 · 69 39 61

e-mail [maik.rosenberger@quick-image.de](mailto:maik.rosenberger@quick-image.de)



## Forschung & Entwicklung

Research & Development



## Produktion & Service

Production & Service



## Beratung & Training

Consulting & Training

### Haus- und Lieferanschrift:

Steinbeis Qualitätssicherung und Bildverarbeitung GmbH

Werner-von-Siemens-Str. 9 98693 Ilmenau

Bankverbindung: Deutsche Bank, Stuttgart

BLZ 600 700 70 » Konto 0941369 » BIC-Code: DEUTDE33XXX

IBAN-Nr.: DE25 6007 0070 0094 1369 00

Geschäftsführer: Dipl.-Ing. Steffen Lübbecke » T +49 (0) 36 77 · 46 90 59 12,

F +49 (0) 36 77 · 46 90 59 11 » [info@quick-image.de](mailto:info@quick-image.de) » [www.quick-image.de](http://www.quick-image.de)

USt.-Ident.-Nr. DE 278964785 » Registergericht: AG Jena HRB 507013.

Ein Unternehmen im Steinbeis-Verbund.